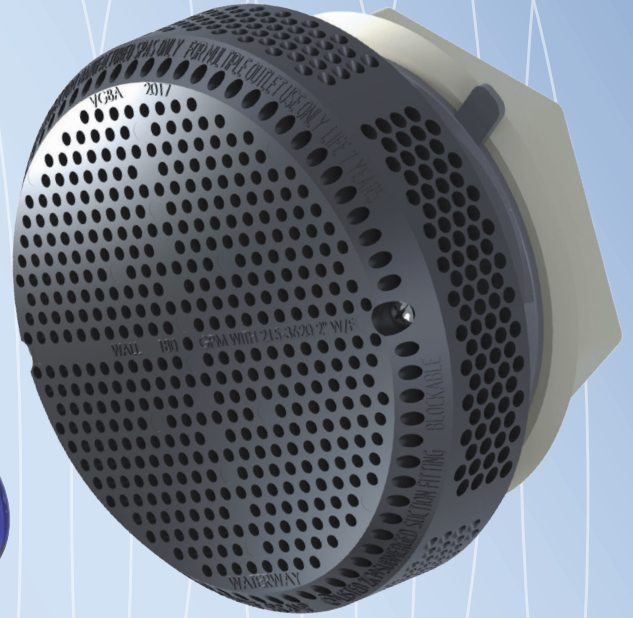
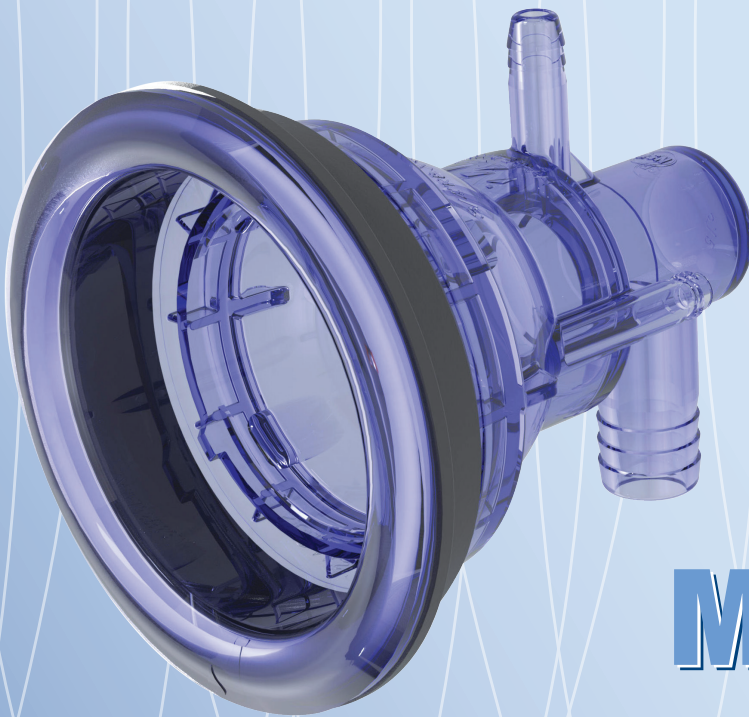


SGMS/Load Washer Products

A WIDE VARIETY OF
PRODUCTS AVAILABLE



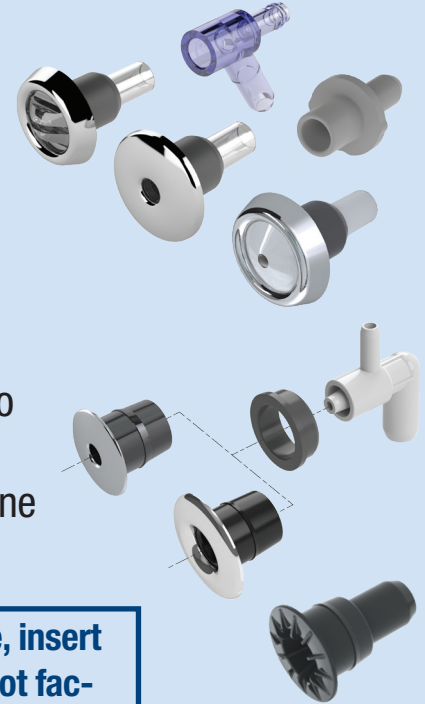
Mounting Made Easy

SGMS Components

EASY TO INSTALL • MANY WITH MULTIPLE BODY OPTIONS • LED VERSIONS OPTIONAL

SGMS Micro Components

Waterway's Micro Components consist of a microjet, 3 options of microwater features and a micro air injector. All of these items have multiple bodies to choose from.



SGMS Ozone Jet Components

Waterway's new SGMS Ozone/Cluster Jets are available now in two different sizes. The two piece body/wallfitting assembly allows the body to be glued in at any angle. Available in two jet sizes. The Ozone Return has a 5/8" diameter opening for maximum flow-through.

Installing is as simple as it gets. Simply drill the hole, insert the grommet, then press in the body. No need for spot facing, silicone, gaskets, nuts or compensating rings.

SGMS Components	
Smooth Barb PNs	Description
SGMS Micro Components	
425-6038	SGMS 3/8" Micro Venturi Jet Body, Same Side w/LED
425-4030	SGMS 3/8" SB Straight Adapter
425-6000	SGMS 3/8" SB Micro 90° Ell Adapter
425-6048	SGMS 1" Micro Water Feature Wye, 30° LED Probe
670-2700	SGMS EPDM 1 1/4" Jet/WF/Injector, Plastic Assy.
670-2700-SI	SGMS Silicone 1 1/4" Jet/WF/Injector, Plastic Assy.
670-2700S	SGMS EPDM 1 1/4" Micro Jet/WF/Injector, Metal Assy.
670-2700SI-S	SGMS Silicone 1 1/4" Micro Jet/WF/Injector, Metal Assy.
670-2710	SGMS EPDM 1 1/4" Micro Jet/WF/Injector, Small Noz. Plastic Assy.
670-2710S	SGMS EPDM 1 1/4" Micro Jet/WF/Injector, Small Noz. Metal Assy.
675-2580	SGMS EPDM 1 1/4" Micro Water Feature Fan Spray, Plastic Assy.
670-2580S	SGMS EPDM 1 1/4" Micro Water Feature Fan Spray, Metal Assy.
670-2778S	SGMS EPDM 1 5/16" Micro Air Injector Metal Assy

SGMS Components	
Smooth/Ribbed Barb PNs	Description
SGMS Ozone Jet Components	
670-2900	SGMS Ozone/Cluster Jet Body, 3/4" SB X 3/8" SB w/0.200" Noz Assy.
806-2200-EP	SGMS Ozone/Cluster/Return Grommet
215-2251S	SGMS Ozone/Cluster Wall Fitting, 2 1/16" w/Metal - Black
215-2240	SGMS Standard Ozone/Cluster Wallfitting, 1 5/8"
215-2241S	SGMS Standard Ozone/Cluster Wallfitting, 1 11/16" w/Metal - Black
215-2250	SGMS Large Face Ozone/Cluster Wallfitting, 2"
215-2251S	SGMS Large Face Ozone/Cluster Wallfitting, 2 1/16" w/Metal - Black
215-4820 / 215-4830	SGMS Ozone Return Fitting, (SB/RB)
SGMS Ozone Return	
215-4820	SGMS Ozone Return Fitting, 3/4" Smooth Barb
215-4830	SGMS Ozone Return Fitting, 3/4" Ribbed Barb
806-2200-EP	SGMS Grommet, Ozone Return Fitting

SGMS Jets & Water Features

EASY TO INSTALL • MANY WITH MULTIPLE BODY OPTIONS • LED VERSIONS OPTIONAL

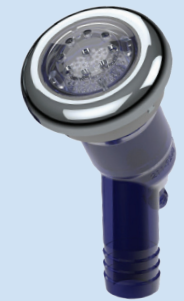
SGMS Storm Jet Bodies

The power of the storm has returned with Waterway's new SGMS Storm Jet Bodies. Available in 2" Cluster, 3" Mini, 3.5" Poly and 5" Power sizes. Also offered in smooth or ribbed barb.



SGMS Water Features

Waterway proudly introduces their new SGMS Water Features. Choose from two different jetbodies; smooth barb and ribbed barb. Along with three different water shapes; Rope, Slot and Fountain.



SGMS Waterfalls

Waterway's 3.5" and 7" SGMS Waterfalls are the newest addition to the SGMS family. Both are LED ready and have 3/4" SB plumbing.



SGMS Components, Jets & Features	
Smooth/Ribbed Barb PNs	Description
SGMS Storm Jet Bodies (Smooth Barb/Ribbed Barb)	
228-2418 / 228-2408	SGMS Cluster Storm Jet, 3/4" B X 3/8" B
228-3418 / 228-3408	SGMS Mini Storm Jet, 3/4" B X 3/8" B
228-4418 / 228-4408	SGMS Poly Storm Jet, 3/4" B X 3/8" B
228-5418 / 228-5408	SGMS Power Storm Jet, 3/4" B X 3/8" B
SGMS Water Features	
210-8518S / 210-8618S	SGMS Flush Mount Water Feature, 3/4" B, Mtl. Esc., Rope Style
210-8508S / 210-8608S	SGMS Flush Mount Water Feature, 3/4" B, Mtl. Esc., Slot Style
210-8528S / 210-8628S	SGMS Flush Mount Water Feature, 3/4" B, Mtl. Esc., Fountain Style
SGMS Waterfalls	
675-XXXX / 675-XXXX	3.5" Non-Adjustable Waterfall / 7" Non-Adjustable Waterfall



SGMS Controls, Lights

BODIES: FITTING GRADE PVC • GROMMET: SILICONE/EPDM • MOUNTING MADE EASY

SGMS Top Side Controls

Waterway's patented SGMS Top Side Controls are LED ready. Contact your Waterway representative for available styles.



SGMS Pin Lights

Waterway's SGMS Pin Lights are available in 5/8", 3/4" and 1" diameters as well as a variety of different styles.



Installing is as simple as it gets. Simply drill the hole, insert the grommet, then press in the body. No need for spot facing, silicone, gaskets, nuts or compensating rings.

SGMS Controls & Lights	
Part Number	Description
SGMS Top Side Controls	
668-5518L-DSG	SGMS Air Control Assy. Eclipse-DSG/Clear
608-5508L-DSG	SGMS 100% Shut-Off Valve Assy. Eclipse-DSG/Clear
608-5518L-DSG	SGMS 2" Top Access Div. Vlv Assy-Eclipse-DSG/Clear
668-3918L-DSG	SGMS Air Control Assy. Luxe-DSG/Clear
608-3928L-DSG	SGMS 100% Shut-Off Valve Assy. Luxe-DSG/Clear
608-3918L-DSG	SGMS 2" Top Access Div. Vlv Assy-Luxe-DSG/Clear
668-7608L-DSG	SGMS Air Control Assy. Orion-DSG/Clear
608-3668L-DSG	SGMS 100% Shut-Off Valve Assy. Orion-DSG/Clear
608-7608L-DSG	SGMS 2" Top Access Div. Vlv Assy-Orion-DSG/Clear

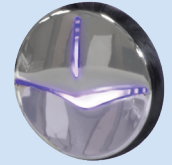
SGMS Controls & Lights	
Part Number	Description
5/8" SGMS Pin Lights	
633-8028	5/8" SGMS LED Spot Light (Ripple) Assy
633-8018	5/8" SGMS LED Spot Light (Pinwheel) Assy
633-8008	5/8" SGMS LED Spot Light (Sunburst) Assy
3/4" SGMS Pin Lights	
633-5008	3/4" SGMS LED Spot Light (Petal) Assy
1" SGMS Pin Lights	
633-3038	1" SGMS LED Spa Pin Light (Ripple) Assy
633-3018	1" SGMS LED Spa Pin Light (Pinwheel) Assy
633-3028-SI	1" SGMS LED Spot Light (Sunburst) Assy
633-3008	1" SGMS LED Spot Light (Faceted) Assy

Lights & Accessories

BODIES: FITTING GRADE PVC • GROMMET: SILICONE/EPDM • MOUNTING MADE EASY

SGMS Sconce Light

The elegant design of this Sconce Light will enhance the appeal of the exterior of any spa.



SGMS Spa Lights

Available in 2.5", 3.5" and 5" diameters.



SGMS Cup Holder

Waterway SGMS Cup Holders are available in two sizes (3 1/8" & 4 1/4") and are available in two styles; Crystal and Ripple.



SGMS Lights & Accessories	
Part Number	Description
SGMS Spa Lights	
630-0248	SGMS 2.5" Spa Light
630-6088	SGMS 3.5" Spa Light
630-7028	SGMS 5" Spa Light
SGMS Sconce Light	
633-6858S	SGMS 1 1/5" Button Sconce Light
SGMS Cup Holder	
630-4908	SGMS 3 1/8" Cup Holder Assy, Crystal Style - Clear
630-4918	SGMS 3 1/8" Cup Holder Assy, Ripple Style - Clear
630-0168	SGMS 4 1/4" Cup Holder Assy, Crystal Style - Clear
630-0178	SGMS 4 1/4" Cup Holder Assy, Ripple Style - Clear

Load Washer

NO SILICONE • NO SPOT FACING • NO CRACKED RINGS • MOUNTING MADE EASY

Load Washer Suction **Patent # US 11,484,467**

Available for all 5" Suctions (Super Hi-Flo, Ultra Super Hi-Flo, and Designer Suctions).



Load Washer Dyna-Flo Skim Filters

Waterway's Load Washer is available for all Dyna-Flo, Teleweir and Top Load Filters.



Load Washer	
Part Number	Description
Suctions	
640-5450 VP	2" Hi-Flo Suction
644-3780 V	2" Super Hi-Flo Suction
644-3790 V	2 ½" Super Hi-Flo Suction
644-3940 VP	2" Ultra Super Hi-Flo Suction
644-3930 VP	2 ½" Ultra Super Hi-Flo Suction
644-5210 V	2" Designer Series Suction
644-5220 V	2 ½" Designer Series Suction
Cartridge Mount Fittings	
400-3150	1 ½" Cartridge Mount Fittings, 1 ½" FPT
400-8970	2" Cartridge Mount Fittings
400-9640	1 ½" Cartridge Mount Fittings, 1 ½" Slip

Load Washer

NO SILICONE • NO SPOT FACING • NO CRACKED RINGS • MOUNTING MADE EASY

Load Washer Master Massage Jet

Waterway’s Master Massage Jet offers extra large construction with an adjustable flow control and an easy through-wall installation.



Load Washer Rip Current Jet

Waterway’s new Rip Current Swim Jet has all the great features and performance of its predecessor the “River Jet”, but has been redesigned to allow for easier installation.



Waterway’s Load Washer breakthrough allows for easier installation on spa components without the need for Silicone or back facing. This technologically advanced compensating ring won’t break as the ring is retained by the through hole in the spa wall. Available components shown below.

Load Washer	
Part Number	Description
Filters / Skim Filters	
510-4700	Teleweir Skim Filter, 50 sq ft
510-4730	Teleweir Skim Filter, 30 sq ft
510-6580	DynaFlo Skim Filter, HL Volume
Load Washer Top Load	
For more product numbers, please contact your Waterway sales representative	
Load Washer Master Massage	
For more product numbers, please contact your Waterway sales representative	
Jets	
236-8180S	Master Massage Jet, Assembly, Smooth Metal Escutcheon Assy
For more product numbers, please contact your Waterway sales representative	



www.waterwayplastics.com 807-XXXX.1023

MADE IN THE
USA

000302 ©2023 Waterway Plastics